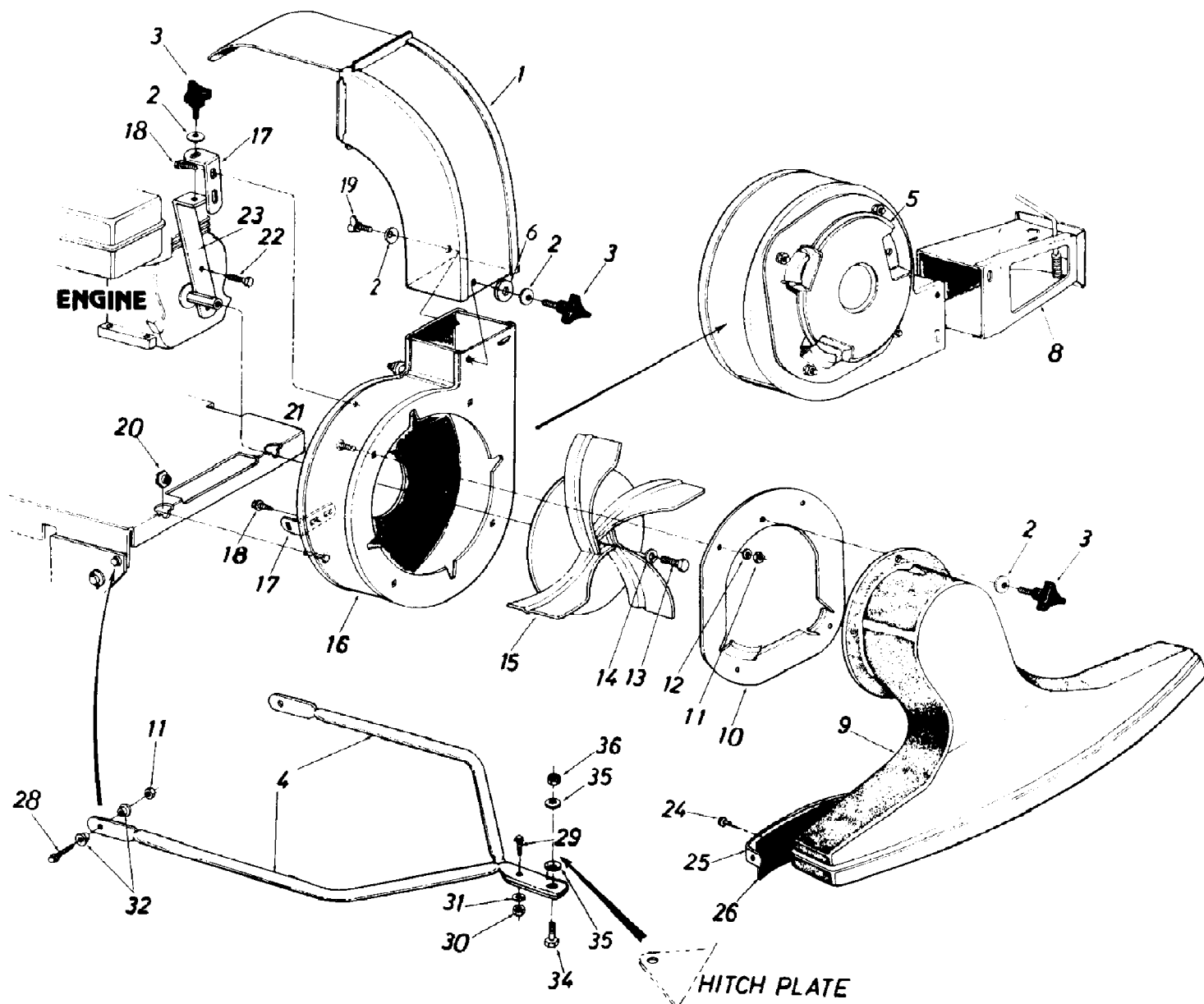


Ref #	Part Number	Qty	S/P/F	Description
1	05778B	1	S/F	Clutch Grip Ass'y.
2	711-0679	1	S/F	Clevis Pin .375" Dia. x 1.88"
3	747-0154	1	F	Clutch Rod 32" Lg.
4	749-0787	1	/P	Handle Brace
5		1		Part of Engine
6	710-0892	1	S/F	Hex Wash. Hd. AB-Tap Scr. 1/4" x .62" Lg.
7	14558	1	S	Belt Guard
8	714-0114	1	S	Square Key 1/4" x 2" Lg.
9	14536A	1		Air Vane Plate Ass'y. 677
	14557A	1	S	Air Vane Plate Ass'y. w/Pulley
10	710-0442	1	S/F	Hex Bolt 5/16-18 x 1.5" Lg.
11	754-0219	1	S	"V"-Belt
12	736-0119	1	S/F	L-Wash. 5/16" I.D.
13	712-0267	1	S/F	Hex Nut 5/16-18 Thd.
14	16454	1		Engine Mounting Frame Ass'y.
15	714-0115	1	S/F	Cotter Pin 1/8" Dia. x 1" Lg.
16	736-0187	1	/P	FI-Wash. .63" I.D. x 1.25" O.D.
17	736-0921	1	S/F	L-Wash. 1/2" I.D.
18	712-0206	1	S/F	Hex Nut 1/2-13 Thd.
19	712-0107	1	S	Hex Cent. L-Nut 1/4-20 Thd.
20	732-0411	1	F	Extension Spring .78" O.D. x .75" Lg.
21	734-1036	1		Swivel Caster Wheel 5" Dia. x 1.25"
22	732-0409	1	S/F	Extension Spring .38" O.D. x 7.50" Lg.
23	716-0104	1	S/F	Snap "E"-Ring .50" Dia. Shaft
24	756-0367	1	F	"V"-Pulley 5/8" x 6.50" O.D.
25	748-0142	1	F	Flange Bearing .502" I.D.
26	14570	1	F	Gear Box Mounting Bracket
27	732-0376	1	S/F	Extension Spring .75" O.D. x 3.28" Lg.
28	14565	1	F	Clutch Bracket Ass'y.
29	714-0229	1	F	#2 Woodruff Key 3/32" Dia. x .81" Lg.
30	748-0227A	1	S/F	Hex Flange Bearing Bronze .625" I.D.
31	738-0516	1	F	Pinion Shaft .50" Dia. x 5"
32	717-0493	1	F	Gear Box Ass'y. Comp.
33	16273	1		Caster Arm Ass'y.
34	08348	1	F	Drive Shaft
35	748-0136	1		Bevel Gear .50" I.D. x 14 Teeth
36	748-0108	1	S/F	Flange Bearing .503" I.D.
37	753-0218	1	/P/F	Gear Box Incl. Ref. 36 & 38
38	748-0110	1	/P/F	Flange Bearing .630" I.D.
39	08187	1	F	Gear Box Cover
40	748-0135	1	F	Bevel Gear .62" I.D. x 28 Teeth
41	715-0246	1	S/F	Spring Pin Spiral 3/16" Dia. x 1.25" Lg.
42	710-0726	1	/P	Hex Wash. Hd. AB-Tap Scr. 5/16" x .75" Lg.
43		1		Engine
46	748-0201	1	S/F	Spacer .63" I.D. x .88" O.D. x .56" Lg.
47	14530	1		Side Plate
48	715-0247	1	S/F	Spring Pin Spiral 3/16" Dia. x 1" Lg
49	748-0288	1	F	Drive Pinion
50	710-0170	1		Hex Locking Bolt 5/16-24 x .62" Lg.
51	736-0159	1	S	FI-Wash. .34" I.D. x .87" O.D.
53	734-1035	1		Wheel Ass'y. Comp. 12" x 3" Incl. Ball Bearings

Ref #	Part Number	Qty	S/P/F	Description
	734-1184	1	S	Wheel Ass'y. Comp. 10.5" x 4" 677
	741-0313	1	S	Bearings 677
54	750-0194	1		Spacer .63" I.D. x 1.0" O.D. x .94" Lg. 685
	748-0192	1	/P	Spacer.63" I.D x .878" O.D x .79" Lg. 677
55	710-0118	1	S/F	Hex Bolt 5/16-18 x .75" Lg.
57	747-0542	1		Height Adjustment Crank
58	736-0117	1	S	FI-Wash. .385" I.D. x .62" O.D.
59	720-0171	1	S	Crank Knob
61	710-0136	1	/P	Hex Bolt 1/4-20 x 1.75" Lg.
62	764-0162A	1	S	Vacuum Bag - Felt
63	1539-019	1		Push Speed Nut .25" Dia. Stud
64	749-0785	1	/P	Lower Handle
66	726-0100	1	S	Push Nut 3/8" Dia.
67	711-0737	1	S	Stud Pin .250" Dia. x 1.75"
69	714-0145	1	S	Internal Cotter Pin 3/8" Dia.
70	749-0786	1		Upper Handle
71	738-0185	1		Rear Axle
72	715-0249	1	S/F	Spring Roll Pin 5/32" Dia. x 1.12
73	750-0142	1	S/F	Spacer 82" I.D. x 1.0" O.D. x .305 Lg
74	736-0175	1	S/F	L-Wash. .265" I.D.
75	710-0352	1	/P/F	Hex Self-Tap Scr. 1/4" x 3/8" Lg
76	14556	1		R.H. Pinion Guard
	14555	1		L.H. Pinion Guard Not shown
77	712-0298	1	S/F	Hex Jam Nut 1/4-20 Thd.
78	736-0242	1	/P	Belleville Washer
79	736-0300	1	S	FI-Wash. .35" I.D. x .87" O.D.
80	750-0528	1	S	Spacer .38" I.D. x .50" O.D. x .18" Lg.
81	711-0797	1	S	Ferrule 3/8-8 x .38" Dia.
82	712-0354	1	S	Hex Nut 3/8-8 Thd.
83	736-0169	1	S/F	L-Wash. 3/8" I.D.
	737-0223	3	S	10 oz. Tube Benalene #372-0 Grease 3 oz. Req'd.



Ref #	Part Number	Qty	S/P/F	Description
1	14532	1		Air Duct Assembly
2	736-0242	1	/P	Belleville Wash. .34" I.D. x .87" O.D.
3	720-0170	1	/P	Hand Knob
4	749-0501	1	F	Tow Bar Half
5	731-0608	1		Impeller Guard
6	736-0231	1	S	FI-Wash. .344" I.D. x 1.125" O.D.
8	14479	1	/P	Directional Discharge Ass'y.
9	14562B	1	/P	Nozzle Ass'y. (Black)
10	14563	1	S	Nozzle Plate Ass'y.
11	712-0267	1	S/F	Hex Nut 5/16-18 Thd.
12	736-0119	1	S/F	L-Wash. 5/16" I.D.
13	710-0191	1	/P/F	Hex Bolt 3/8-24 x 1.25" Lg.
14	736-0217	1	S	L-Wash. 3/8" I.D. H.D.
15	14536	1		Air Vane Plate Ass'y. 677
	14557A	1	S	Air Vane Plate Ass'y. w/Pulley 685
16	14496A	1		Blower Housing Complete
17	14541	1	S	Right Angle Bracket
18	710-0600	1	/P	Hex Self-Tap Scr. 5/16-18 x .50" Lg.
19	710-1258	1		Thumb Screw 5/16-18 Code: N notates a new part (not previously existing).
20	711-0758	1	S	Hex Shoulder Nut .50 I.D.
21	710-0260	1	S/F	Carriage Bolt 5/16-18 x .62"
22	710-0627	1	/P	Hex Locking Bolt 5/16-24 x .75" Lg.
23	14539	1	S	Housing - Engine Brace Ass'y.
24	728-0173	5	S	Pop Rivet 5 Required
25	14569	1		Wiper Retaining Strip
26	735-0214	1		Nozzle Wiper
28	710-0602	1	/P/F	Hex Bolt 5/16-18 x 1.00" Lg.
29	710-0255	1	S/F	Truss Mach. Scr. 1/4-20 x .75"
30	712-0287	1	S/F	Hex Nut 1/4-20 Thd.
31	736-0329	1	S/F	L-Wash. 1/4" I.D.
32	748-0234	1	/P/F	Shoulder Spacer
34	738-0143	1	/P/F	Shld. Bolt .496 Dia.
35	736-0219	1	S/F	Belleville Wash. .39" I.D. x 1.12" O.D.
36	712-0181	1	S/F	Hex Jam L-Nut 3/8-26 Thd.